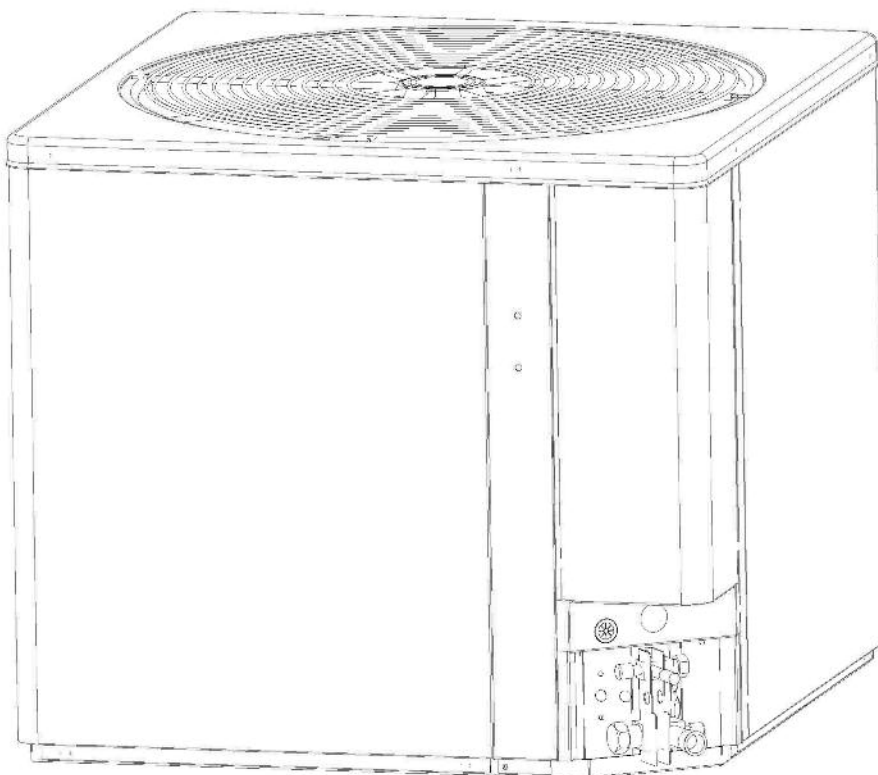


INSTALLATION INSTRUCTIONS

13 SEER SERIES CUBE CONDENSING UNITS - R-407C 1½ - 5 TONS



This product is shipped with a nitrogen holding charge that must be vented prior to evacuation and charging as identified by a tag on the unit shipping carton and on one of the unit service valves.

This product is intended for new installations but is suitable for condensing unit change-out in existing R22 systems if the original line set and coil are properly flushed to remove residual mineral oil.

This product contains POE oil that is not compatible with mineral oil. It must be charged with R407C refrigerant meeting AHRI 700 purity standard.

NOTE: Appearance of unit may vary.



RECOGNIZE THIS SYMBOL AS AN INDICATION OF IMPORTANT SAFETY INFORMATION!

▲ WARNING

THESE INSTRUCTIONS ARE INTENDED AS AN AID TO QUALIFIED, LICENSED SERVICE PERSONNEL FOR PROPER INSTALLATION, ADJUSTMENT AND OPERATION OF THIS UNIT. READ THESE INSTRUCTIONS THOROUGHLY BEFORE ATTEMPTING INSTALLATION OR OPERATION. FAILURE TO FOLLOW THESE INSTRUCTIONS MAY RESULT IN IMPROPER INSTALLATION, ADJUSTMENT, SERVICE OR MAINTENANCE POSSIBLY RESULTING IN FIRE, ELECTRICAL SHOCK, PROPERTY DAMAGE, PERSONAL INJURY OR DEATH.



ISO 9001:2000

Certificate Number: 30164

DO NOT DESTROY THIS MANUAL

PLEASE READ CAREFULLY AND KEEP IN A SAFE PLACE FOR FUTURE REFERENCE BY A SERVICEMAN

TABLE OF CONTENTS

1.0 SAFETY INFORMATION	3
2.0 GENERAL	4
2.1 Checking Product Received	4
2.2 Application	4
2.3 Dimensions	5
2.4 Electrical and Physical Data	6
3.0 LOCATING UNIT	6
3.1 Corrosive Environment	6
3.2 Condenser Location	7
3.3 Operational Issues	7
3.4 For Condensers With Space Limitations	7
3.5 Customer Satisfaction Issues	7
3.6 Unit Mounting	7
3.7 Factory-Preferred Tie-Down Method	7
4.0 REFRIGERANT CONNECTIONS	8
5.0 REPLACEMENT UNITS	8
6.0 INTERCONNECTING TUBING	8
6.1 Vapor and Liquid Lines	8
6.2 Maximum Length of Lines	9
6.3 Outdoor Unit Installed Above Indoor Coil	9
6.4 Outdoor Unit Below Indoor Coil	10
6.5 Tubing Installation	10
6.6 Tubing Connections	10
6.7 Leak Testing	11
7.0 EVACUATION PROCEDURE	11
8.0 START UP PERFORMANCE	13
9.0 CHECKING AIRFLOW	13
10.0 CHECKING REFRIGERANT CHARGE	13
10.1 Charging By Liquid Subcooling Method	13
10.2 Charging By Weight	14
10.3 Final Leak Testiing	14
11.0 ELECTRICAL WIRING	14
11.1 Grounding	14
11.2 Power Wiring	14
11.3 Control Wiring	15
12.0 FIELD INSTALLED ACCESSORIES	15
12.1 Compressor Crankcase Heat	15
12.2 Time Delay Control (TDC)	15
12.3 Low Ambient Control (LAC)	16
12.4 High and Low Pressure Controls (HPC or LPC)	16
13.0 SERVICE	16
13.1 Operation	16
13.2 Single-Pole Compressor Contactor	16
14.0 TROUBLE SHOOTING	17
14.1 Electrical Checks Flow Chart	17
14.2 Mechanical Checks Flow Chart	18
14.3 Superheat Calculation	19
14.4 Subcooling Calculation	19
14.5 General	20
15.0 WIRING DIAGRAM	21

1.0 SAFETY INFORMATION

WARNING

THESE INSTRUCTIONS ARE INTENDED AS AN AID TO QUALIFIED LICENSED SERVICE PERSONNEL FOR PROPER INSTALLATION, ADJUSTMENT AND OPERATION OF THIS UNIT. READ THESE INSTRUCTIONS THOROUGHLY BEFORE ATTEMPTING INSTALLATION OR OPERATION. FAILURE TO FOLLOW THESE INSTRUCTIONS MAY RESULT IN IMPROPER INSTALLATION, ADJUSTMENT, SERVICE OR MAINTENANCE POSSIBLY RESULTING IN FIRE, ELECTRICAL SHOCK, PROPERTY DAMAGE, PERSONAL INJURY OR DEATH.

WARNING

THE MANUFACTURER'S WARRANTY DOES NOT COVER ANY DAMAGE OR DEFECT TO THE HEAT PUMP CAUSED BY THE ATTACHMENT OR USE OF ANY COMPONENTS, ACCESSORIES OR DEVICES (OTHER THAN THOSE AUTHORIZED BY THE MANUFACTURER) INTO, ONTO OR IN CONJUNCTION WITH THE HEAT PUMP. YOU SHOULD BE AWARE THAT THE USE OF UNAUTHORIZED COMPONENTS, ACCESSORIES OR DEVICES MAY ADVERSELY AFFECT THE OPERATION OF THE HEAT PUMP AND MAY ALSO ENDANGER LIFE AND PROPERTY. THE MANUFACTURER DISCLAIMS ANY RESPONSIBILITY FOR SUCH LOSS OR INJURY RESULTING FROM THE USE OF SUCH UNAUTHORIZED COMPONENTS, ACCESSORIES OR DEVICES.

WARNING

DISCONNECT ALL POWER TO UNIT BEFORE STARTING MAINTENANCE. FAILURE TO DO SO CAN CAUSE ELECTRICAL SHOCK RESULTING IN SEVERE PERSONAL INJURY OR DEATH.

WARNING

DO NOT USE OXYGEN TO PURGE LINES OR PRESSURIZE SYSTEM FOR LEAK TEST. OXYGEN REACTS VIOLENTLY WITH OIL, WHICH CAN CAUSE AN EXPLOSION RESULTING IN SEVERE PERSONAL INJURY OR DEATH.

WARNING

THE UNIT MUST BE PERMANENTLY GROUNDED. FAILURE TO DO SO CAN CAUSE ELECTRICAL SHOCK RESULTING IN SEVERE PERSONAL INJURY OR DEATH.

WARNING

TURN OFF ELECTRIC POWER AT THE FUSE BOX OR SERVICE PANEL BEFORE MAKING ANY ELECTRICAL CONNECTIONS.

ALSO, THE GROUND CONNECTION MUST BE COMPLETED BEFORE MAKING LINE VOLTAGE CONNECTIONS. FAILURE TO DO SO CAN RESULT IN ELECTRICAL SHOCK, SEVERE PERSONAL INJURY OR DEATH.

WARNING

THE MANUFACTURER'S WARRANTY DOES NOT COVER ANY DAMAGE OR DEFECT TO THE AIR CONDITIONER CAUSED BY THE ATTACHMENT OR USE OF ANY COMPONENTS, ACCESSORIES OR DEVICES (OTHER THAN THOSE AUTHORIZED BY THE MANUFACTURER) INTO, ONTO OR IN CONJUNCTION WITH THE AIR CONDITIONER. YOU SHOULD BE AWARE THAT THE USE OF UNAUTHORIZED COMPONENTS, ACCESSORIES OR DEVICES MAY ADVERSELY AFFECT THE OPERATION OF THE AIR CONDITIONER AND MAY ALSO ENDANGER LIFE AND PROPERTY. THE MANUFACTURER DISCLAIMS ANY RESPONSIBILITY FOR SUCH LOSS OR INJURY RESULTING FROM THE USE OF SUCH UNAUTHORIZED COMPONENTS, ACCESSORIES OR DEVICES.

2.0 GENERAL

The information contained in this manual has been prepared to assist in the proper installation, operation and maintenance of the air conditioning system. Improper installation, or installation not made in accordance with these instructions, can result in unsatisfactory operation and/or dangerous conditions, and can cause the related warranty not to apply.

Read this manual and any instructions packaged with separate equipment required to make up the system prior to installation. Retain this manual for future reference.

To achieve optimum efficiency and capacity, the indoor cooling coils listed in the condensing unit specification sheet should be used.

IMPORTANT: We recommend replacement of any HVAC equipment that has been subjected to flooding in order to avoid any risk of injury or harm.

IMPORTANT: Use all available safety precautions during the installation and servicing of any HVAC equipment.

2.1 CHECKING PRODUCT RECEIVED

Upon receiving unit, inspect it for any shipping damage. Claims for damage, either apparent or concealed, should be filed immediately with the shipping company. Check condensing unit model number, electrical characteristics and accessories to determine if they are correct and match the original order from the local distributor. Check system components (evaporator coil, condensing unit, evaporator blower, etc.) to make sure they are properly matched.

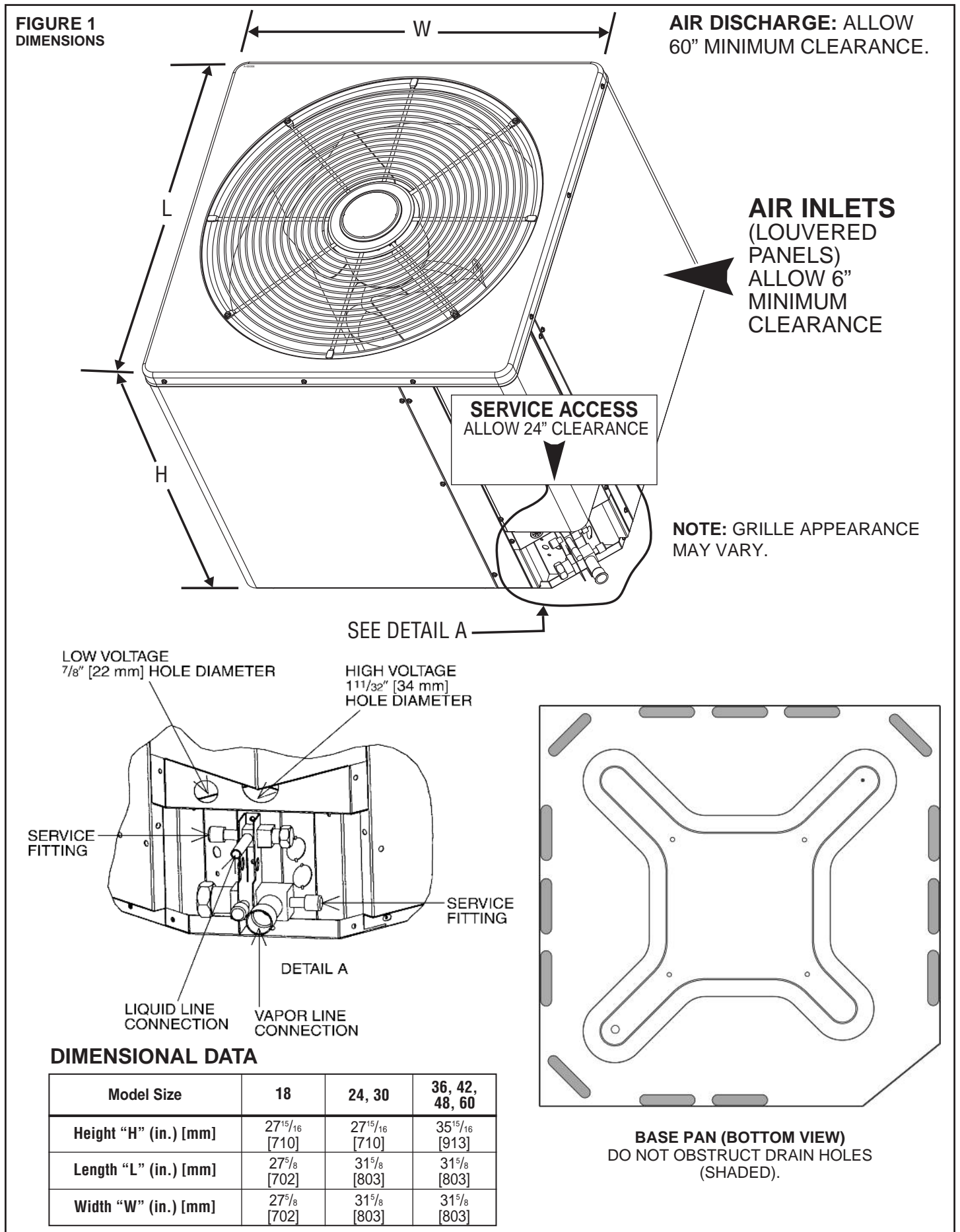
2.2 APPLICATION

Before installing any air conditioning equipment, a duct analysis of the structure and a heat gain calculation must be made. A heat gain calculation begins by measuring all external surfaces and openings that gain heat from the surrounding air and quantifying that heat gain. A heat gain calculation also calculates the extra heat load caused by sunlight and by humidity removal.

There are several factors that the installers must consider:

- Outdoor unit location
- System refrigerant charge
- Indoor unit blower speed
- System air balancing
- Proper equipment evacuation
- Indoor unit airflow
- Supply and return air duct design and sizing
- Diffuser and return air grille location and sizing

2.3 (SEE FIGURE 1)



2.4 ELECTRICAL & PHYSICAL DATA (SEE TABLE 1)

TABLE 1
ELECTRICAL AND PHYSICAL DATA

Model Size	Electrical							Physical					
	Phase Frequency (Hz) Voltage (Volts)	Compressor		Fan Motor Full Load Amperes (FLA)	Minimum Circuit Ampacity Amperes	Fuse or HACR Circuit Breaker		Outdoor Coil			Refrig. Per Circuit Oz. [g] (R-407C)	Weight	
		Rated Load Amperes (RLA)	Locked Rotor Amperes (LRA)			Minimum Amperes	Maximum Amperes	Face Area Sq. Ft. [m ²]	No. Rows	CFM [L/s]		Net Lbs. [kg]	Shipping Lbs. [kg]
18	1-60-208/230	9.3/9.3	40.3	0.8	11/11	15/15	15/15	13.72 [1.27]	1	2370 [1118]	107 [3033]	175 [79.4]	185 [83.9]
24	1-60-208/230	12.0/12.0	56	0.8	16/16	20/20	20/20	16.39 [1.52]	1	2905 [1371]	109 [3090]	210 [95.3]	220 [99.8]
30	1-60-208/230	15.0/15.0	68	0.8	21/21	25/25	30/30	16.39 [1.52]	1	2805 [1324]	116 [3288]	210 [95.3]	220 [99.8]
36	1-60-208/230	17.1/17.1	87	0.8	24/24	25/25	30/30	21.85 [2.03]	1	2995 [1413]	140 [3698]	247 [112]	258 [117]
42	1-60-208/230	21.4/21.4	112	1.2	30/30	35/35	40/40	21.85 [2.03]	2	3360 [1586]	134 [3798]	297 [134.7]	319 [144.7]
48	1-60-208/230	22.1/22.1	104	1.2	31/31	35/35	40/40	21.85 [2.03]	2	3360 [1586]	258 [7314]	297 [134.7]	319 [144.7]
60	1-60-208/230	24.3/24.3	137	1.2	34/34	35/35	40/40	21.85 [2.03]	2	3360 [1586]	286 [8107]	297 [134.7]	319 [144.7]

NOTE: Refrigerant charge shown is for refrigerant for 15 feet of standard line set. Units are shipped with a nitrogen holding charge and must be charged with R407C in the field.

MATCH ALL COMPONENTS:

- OUTDOOR UNIT
- INDOOR COIL/METERING DEVICE
- INDOOR AIR HANDLER/FURNACE
- REFRIGERANT LINES

3.0 LOCATING UNIT

3.1 CORROSIVE ENVIRONMENT

The metal parts of this unit may be subject to rust or deterioration if exposed to a corrosive environment. This oxidation could shorten the equipment's useful life. Corrosive elements include, but are not limited to, salt spray, fog or mist in seacoast areas, sulphur or chlorine from lawn watering systems, and various chemical contaminants from industries such as paper mills and petroleum refineries.

If the unit is to be installed in an area where contaminants are likely to be a problem, special attention should be given to the equipment location and exposure.

- Avoid having lawn sprinkler heads spray directly on the unit cabinet.
- In coastal areas, locate the unit on the side of the building away from the waterfront.
- Shielding provided by a fence or shrubs may give some protection, but cannot violate minimum airflow and service access clearances.
- Elevating the unit off its slab or base enough to allow air circulation will help avoid holding water against the basepan.

Regular maintenance will reduce the build-up of contaminants and help to protect the unit's finish.

WARNING

DISCONNECT ALL POWER TO UNIT BEFORE STARTING MAINTENANCE. FAILURE TO DO SO CAN CAUSE ELECTRICAL SHOCK RESULTING IN SEVERE PERSONAL INJURY OR DEATH.

- Frequent washing of the cabinet, fan blade and coil with fresh water will remove most of the salt or other contaminants that build up on the unit.
- Regular cleaning and waxing of the cabinet with an automobile polish will provide some protection.

- A liquid cleaner may be used several times a year to remove matter that will not wash off with water.

Several different types of protective coatings are offered in some areas. These coatings may provide some benefit, but the effectiveness of such coating materials cannot be verified by the equipment manufacturer.

3.2 CONDENSER LOCATION

Consult local and national building codes and ordinances for special installation requirements. Following location information will provide longer life and simplified servicing of the outdoor condenser.

NOTE: These units must be installed outdoors. No ductwork can be attached, or other modifications made, to the discharge grille. Modifications will affect performance or operation.

3.3 OPERATIONAL ISSUES

- **IMPORTANT:** Locate the condenser in a manner that will not prevent, impair or compromise the performance of other equipment horizontally installed in proximity to the unit. Maintain all required minimum distances to gas and electric meters, dryer vents, exhaust and inlet openings. In the absence of National Codes, or manufacturers' recommendations, local code recommendations and requirements will take precedence.
- Refrigerant piping and wiring should be properly sized and kept as short as possible to avoid capacity losses and increased operating costs.
- Locate the condenser where water run off will not create a problem with the equipment. Position the unit away from the drip edge of the roof whenever possible. Units are weatherized, but can be affected by water pouring into the unit from the junction of rooflines, without protective guttering.

3.4 FOR CONDENSERS WITH SPACE LIMITATIONS

In the event that a space limitation exists, we will permit the following clearances:

Single Unit Applications: One condenser inlet air grille side may be reduced to no less than a 6-inch clearance. Clearances below 6 inches will reduce unit capacity and efficiency. Do not reduce the 60-inch discharge, or the 24-inch service clearances.

Multiple Unit Applications: When multiple condenser grille sides are aligned, a 6-inch per unit clearance is recommended, for a total of 12 inches between two units. Two combined clearances below 12 inches will reduce capacity and efficiency. Do not reduce the 60-inch discharge, or 24-inch service, clearances.

3.5 CUSTOMER SATISFACTION ISSUES

- The condenser should be located away from the living, sleeping and recreational spaces of the owner and those spaces on adjoining property.
- To prevent noise transmission, the mounting pad for the outdoor unit should not be connected to the structure, and should be located sufficient distance above grade to prevent ground water from entering the unit.

3.6 UNIT MOUNTING

If elevating the condensing unit, either on a flat roof or on a slab, observe the following guidelines.

- If elevating a unit on a flat roof, use 4" x 4" (or equivalent) stringers positioned to distribute unit weight evenly and prevent noise and vibration.

3.7 FACTORY-PREFERRED TIE-DOWN METHOD FOR OUTDOOR UNITS

IMPORTANT: The Manufacturer's approved/recommended method is a guide to securing equipment for wind and seismic loads. Other methods might provide the same result, but the Manufacturer's method is the only one endorsed by the Manufacturer for securing equipment where wind or earthquake damage can occur. Additional information is available in the PTS (Product Technical Support) section of the Manufacturer's website Rheemote.net and can be found as a listing under each outdoor model. If you do not have access to this site, your Distributor can offer assistance.

4.0 REFRIGERANT CONNECTIONS

All units are factory charged with a nitrogen holding charge. All models are supplied with service valves. Keep tube ends sealed until connection is to be made to prevent system contamination.

5.0 REPLACEMENT UNITS

To prevent failure of a new condensing unit, the existing evaporator tubing system must be correctly sized and cleaned or replaced. Care must be exercised that the expansion device is not plugged. Test the oil for acid. If positive, a suction line filter drier is mandatory. For new and replacement units, a liquid line filter drier, included with the unit, should be installed and refrigerant tubing should be properly sized.

6.0 INTERCONNECTING TUBING

6.1 VAPOR AND LIQUID LINES

Keep all lines sealed until connection is made.

Refer to Line Size Information in Tables 2 through 4 for correct size and multipliers to be used to determine capacity for various vapor line diameters and lengths of run. The losses due to the lines being exposed to outdoor conditions are not included.

The refrigerant charge listed in Table 1 is sufficient for 15 feet of interconnecting lines. For different lengths, adjust the charge as indicated below.

1/4" ± .3 oz. per foot

5/16" ± .4 oz. per foot

3/8" ± .6 oz. per foot

1/2" ± 1.2 oz. per foot

6.2 MAXIMUM LENGTH OF LINES

The maximum length of interconnecting line is 150 feet. Always use the shortest length possible with a minimum number of bends. Additional compressor oil is not required for any length up to 150 feet.

NOTE: Excessively long refrigerant lines cause loss of equipment capacity.

6.3 OUTDOOR UNIT INSTALLED ABOVE INDOOR COIL

Keep the vertical separation between coils to a minimum. However, the vertical distance can be as great as 120 feet with the condensing unit ABOVE the indoor coil. Use the following guidelines when installing the unit:

1. DO NOT exceed 120 feet maximum vertical separation.
2. Expansion Valve Coil:
 - a. The vertical separation can be greater than the value in Table 3, but no more than 120 feet.
 - b. No changes are required for expansion valve coils.
3. Always use the smallest liquid line size permitted to minimize the system charge.
4. Table 3 may be used for sizing horizontal runs.

6.4 OUTDOOR UNIT BELOW INDOOR COIL

Keep the vertical separation to a minimum. Use the following guidelines when installing the unit:

1. DO NOT exceed the vertical separations as indicated on Table 4.
2. Always use the smallest liquid line size permitted to minimize system charge.
3. Table 4 may be used for sizing horizontal runs.

6.5 TUBING INSTALLATION

Observe the following when installing correctly sized type “L” refrigerant tubing between the condensing unit and evaporator coil:

- If a portion of the liquid line passes through a hot area where liquid refrigerant can be heated to form vapor, insulating the liquid line is required.
- Use clean, dehydrated, sealed refrigeration grade tubing.
- Always keep tubing sealed until tubing is in place and connections are to be made.
- Blow out the liquid and vapor lines with dry nitrogen before connecting to the outdoor unit and indoor coil. For an air conditioning system, any debris in the line set could end up plugging the expansion device.
- As an added precaution, a filter drier is recommended to be installed in the liquid line.
- If tubing has been cut, make sure ends are deburred while holding in a position to prevent chips from falling into tubing. Burrs such as those caused by tubing cutters can affect performance dramatically, particularly on small liquid line sizes.
- For best operation, keep tubing run as short as possible with a minimum number of elbows or bends.
- Locations where the tubing will be exposed to mechanical damage should be avoided. If it is necessary to use such locations, the copper tubing should be housed to prevent damage.
- If tubing is to be run underground, it must be run in a sealed watertight chase.
- Use care in routing tubing and do not kink or twist. Use a tubing bender on the vapor line to prevent kinking.
- The vapor line must be insulated to prevent dripping (sweating) and prevent performance losses. Armaflex and Rubatex are satisfactory insulations for this purpose. Use 1/2” minimum insulation thickness, additional insulation may be required for long runs.
- Check Table 2 for the correct vapor line size. Check Tables 4 and 5 for the correct liquid line size.

6.6 TUBING CONNECTIONS

Indoor evaporator coils have only a holding charge of dry nitrogen. Keep all tube ends sealed until connections are to be made.

- Use type “L” copper refrigeration tubing. Braze the connections with accepted industry practices.
- Be certain both refrigerant service valves at the outdoor unit are closed.
- Clean the fittings before brazing.
- Remove the cap and schrader core from service port to protect seals from heat damage.
- Use an appropriate heatsink material around the copper stub and the service valves before applying heat.
- **IMPORTANT:** Do not braze any fitting with the TEV sensing bulb attached.
- Braze the tubing between the outdoor unit and indoor coil. Flow dry nitrogen into a service port and through the tubing while brazing.
- After brazing – use an appropriate heatsink material to cool the joint and remove any flux residue.

TABLE 2
SUCTION LINE LENGTH/SIZE VS. CAPACITY MULTIPLIER (R-407C)

R-407C System Capacity Model		1½ Ton	2 Ton	2½ Ton	3 Ton	3½ Ton	4 Ton	5 Ton
Suction Line Run Feet		5/8 Opt. 3/4* Std. —	5/8 Opt. 3/4* Std. 7/8 Opt.	5/8 Opt. 3/4* Std. 7/8 Opt.	3/4 Opt. 7/8* Std. —	3/4 Opt. 7/8* Std. 1½ Opt.	7/8 Opt. 1½* Std. —	7/8 Opt. 1½* Std. —
25'	Opt.	.99	.99	.98	.99	.99	.99	.99
	Std.	1.00	1.00	1.00	1.00	1.00	1.00	1.00
	Opt.	N/A	N/A	1.00	N/A	1.00	N/A	N/A
50'	Opt.	.97	.96	.96	.98	.97	.98	.97
	Std.	.99	.99	.98	.99	.98	.99	.99
	Opt.	N/A	.99	.99	N/A	1.00	N/A	N/A
100'	Opt.	.94	.92	.94	.95	.93	.95	.95
	Std.	.96	.96	.96	.96	.96	.98	.98
	Opt.	N/A	.97	.97	N/A	.98	N/A	N/A
150'	Opt.	.99	.89	.92	.93	.92	.93	.93
	Std.	.93	.93	.93	.94	.94	.96	.96
	Opt.	N/A	.95	.95	N/A	.96	N/A	N/A

NOTES:
 *Standard Line Size

6.7 LEAK TESTING

- Pressurize line set and coil through service fittings with dry nitrogen to 150 psig maximum. Leak test all joints using liquid detergent. If a leak is found, repair and repeat leak test procedures.

WARNING

DO NOT USE OXYGEN TO PURGE LINES OR PRESSURIZE SYSTEM FOR LEAK TEST. OXYGEN REACTS VIOLENTLY WITH OIL, WHICH CAN CAUSE AN EXPLOSION RESULTING IN SEVERE PERSONAL INJURY OR DEATH.

7.0 EVACUATION PROCEDURE

Evacuation is the most important part of the entire service procedure. The life and efficiency of the equipment is dependent upon the thoroughness exercised by the serviceman when evacuating air and moisture from the line set and indoor coil.

Air in the system causes high condensing temperatures and pressure, resulting in increased power input and non-verifiable performance.

Moisture chemically reacts with the refrigerant and oil to form corrosive hydrofluoric acids. These attack motor windings and parts, causing breakdown.

After the system has been leak checked and proven sealed, connect the vacuum pump and evacuate system to 500 microns. The vacuum pump must be connected to both the high and low sides of the system through adequate connections. Use the largest size connections available since restrictive service connections may lead to false readings because of pressure drop through the fittings.

IMPORTANT: Compressors (especially scroll type) should never be used to evacuate the air conditioning system because internal electrical arcing may result in a damaged or failed compressor.

NOTE: Unit is shipped with a nitrogen holding charge. Service valves must be nitrogen vented prior to evacuation to allow condensing unit to be evacuated along with the lineset and indoor coils.

TABLE 3
LIQUID LINE SIZE – OUTDOOR UNIT ABOVE INDOOR COIL

System Capacity	Line Size Connection Size (Inch I.D.)	Line Size (Inch O.D.)	Liquid Line Size Outdoor Unit Above Indoor Coil (Cooling Only - Does not apply to Heat Pumps)					
			Total Equivalent Length - Feet					
			25	50	75	100	125	150
			Minimum Vertical Separation - Feet					
1½ Ton	3/8"	1/4	0	0	0	18	31	44
		5/16	0	0	0	0	0	0
		3/8*	0	0	0	0	0	0
2 Ton	3/8"	1/4	0	3	27	48	69	91
		5/16	0	0	0	0	0	0
		3/8*	0	0	0	0	0	0
2½ Ton	3/8"	1/4	0	34	69	N/A	N/A	N/A
		5/16	0	0	0	0	9	0
		3/8*	0	0	0	0	0	0
3 Ton	3/8"	5/16	0	0	0	0	17	9
		3/8*	0	0	0	0	0	0
3½ Ton	3/8"	5/16	0	0	0	13	28	43
		3/8*	0	0	0	0	0	0
4 Ton	3/8"	3/8*	0	0	0	0	0	0
		1/2	0	0	0	0	0	0
5 Ton	3/8"	3/8*	0	0	0	0	0	0
		1/2	0	0	0	0	0	0

NOTES:
*Standard Line Size
N/A - Application not recommended.

TABLE 4
LIQUID LINE SIZE – OUTDOOR UNIT BELOW INDOOR COIL

System Capacity	Line Size Connection Size (Inch I.D.)	Line Size (Inch OD)	Liquid Line Size Cooling Only With Outdoor Unit Below Indoor Coil					
			Total Equivalent Length - Feet					
			25	50	75	100	125	150
			Maximum Vertical Separation - Feet					
1½ Ton	3/8"	1/4	21	8	N/A	N/A	N/A	N/A
		5/16	25	27	24	21	17	14
		3/8*	25	40	39	38	37	35
2 Ton	3/8"	1/4	16	N/A	N/A	N/A	N/A	N/A
		5/16	25	26	21	15	10	5
		3/8*	25	38	36	35	33	31
2½ Ton	3/8"	1/4	0	N/A	N/A	N/A	N/A	N/A
		5/16	25	17	8	0	N/A	N/A
		3/8*	25	37	34	31	29	26
3 Ton	3/8"	5/16	25	15	4	N/A	N/A	N/A
		3/8*	25	30	26	23	19	16
3½ Ton	3/8"	5/16	25	17	2	N/A	N/A	N/A
		3/8*	25	37	32	28	23	18
4 Ton	3/8"	3/8*	25	33	27	21	15	9
		1/2	25	43	42	40	39	38
5 Ton	3/8"	3/8*	25	25	17	8	0	N/A
		1/2	25	39	37	36	34	32

NOTES:
*Standard Line Size
N/A - Application not recommended.

8.0 START UP AND PERFORMANCE

After system evacuation, charge system with the amount of R-407C shown in Table 1 on page 6 **BEFORE** the system is started for the first time. The charge must then be checked to the charge table attached to the service panel and adjusted, if required. Allow a minimum of 5 minutes running. Before analyzing charge, see the instructions on the unit service panel rating plate for marking the total charge.

- The service valves are not backseating valves. To open the valves, remove the valve cap with an adjustable wrench. Insert a 3/16" or 5/16" hex wrench into the stem. Back out counterclockwise until it stops.
- Replace the valve cap finger tight then tighten an additional 1/8 of a turn for a metal-to-metal seal.

9.0 CHECKING AIRFLOW

The air distribution system has the greatest effect. The duct system is totally controlled by the contractor. For this reason, the contractor should use only industry-recognized procedures.

The correct air quantity is critical to air conditioning systems. Proper operation, efficiency, compressor life, and humidity control depend on the correct balance between indoor load and outdoor unit capacity. Excessive indoor airflow increases the possibility of high humidity problems. Low indoor airflow reduces total capacity, and causes coil icing. Serious harm can be done to the compressor by low airflow, such as that caused by refrigerant flooding.

Air conditioning systems require a specified airflow. Each ton of cooling requires between 350 and 450 cubic feet of air per minute (CFM), or 400 CFM nominally.

Duct design and construction should be carefully done. System performance can be lowered dramatically through bad planning or workmanship.

Air supply diffusers must be selected and located carefully. They must be sized and positioned to deliver treated air along the perimeter of the space. If they are too small for their intended airflow, they become noisy. If they are not located properly, they cause drafts. Return air grilles must be properly sized to carry air back to the blower. If they are too small, they also cause noise.

The installers should balance the air distribution system to ensure proper quiet airflow to all rooms in the home. This ensures a comfortable living space.

These simple mathematical formulas can be used to determine the CFM in a residential or light commercial system.

Electric resistance heaters can use

$$\text{CFM} = \frac{\text{volts} \times \text{amps} \times 3.414}{1.08 \times \text{temp rise}}$$

Gas furnaces can use

$$\text{CFM} = \frac{\text{BTUH}}{\Delta T \times 1.08}$$

An air velocity meter or airflow hood can give a more accurate reading of the system CFM.

10.0 CHECKING REFRIGERANT CHARGE

Charge for all systems should be checked against the Charging Chart inside the access panel cover.

10.1 CHARGING BY LIQUID SUBCOOLING METHOD

The liquid subcooling method is used for charging. The pressure at the pressure port on the liquid service valve (small valve) and the liquid line temperature at the service valve must be measured to determine the liquid subcooling level. A chart is

affixed to the control box cover that indicates the correct liquid pressure for the target subcooling level for a range of liquid line temperatures. The effect of outdoor ambient temperature on liquid subcooling is minimal for ambient temperatures above 75°F.

Charging Procedure:

- 1) Verify that the outdoor unit is running and the indoor air-mover is delivering the correct air-flow for the system.
- 2) Read and record the liquid pressure and liquid line temperature at the liquid line service valve.
- 3) Find the liquid line temperature on the charging chart that matches the liquid line temperature measured and note the corresponding liquid pressure beside that temperature on the chart.
- 4) Remove charge if the liquid pressure is above the liquid pressure on the chart.
- 5) Add charge if the liquid pressure is below the liquid pressure on the chart.
- 6) Allow the indoor conditions to stabilize to the desired comfort level and then check the charge level and adjust as necessary by repeating steps 2-5.

10.2 CHARGING BY WEIGHT

Evacuate the entire system. Be sure to open both service valves prior to evacuation. Use the factory charge shown in Table 1 of these instructions or unit data plate. Note that charge value includes charge required for 15 ft. of standard size interconnecting liquid line. Calculate actual charge required with installed liquid line size and length using:

- 1/4" O.D. = .3 oz./ft.
- 5/16" O.D. = .4 oz./ft.
- 3/8" O.D. = .6 oz./ft.
- 1/2" O.D. = 1.2 oz./ft.

With an accurate scale (+/- 1 oz.) or volumetric charging device, adjust charge difference between that shown on the unit data plate and that calculated for the new system installation. If the entire system has been evacuated, add the total calculated charge.

10.3 FINAL LEAK TESTING

After the unit has been properly evacuated and charged, a halogen leak detector should be used to detect leaks in the system. All piping within the condensing unit, evaporator, and interconnecting tubing should be checked for leaks. If a leak is detected, the refrigerant should be recovered before repairing the leak. The Clean Air Act prohibits venting refrigerant into the atmosphere.

11.0 ELECTRICAL WIRING

Field wiring must comply with the National Electric Code (C.E.C. in Canada) and any applicable local code.

11.1 GROUNDING

A grounding lug is provided near the contactor for a ground wire.

WARNING

THE UNIT MUST BE PERMANENTLY GROUNDED. FAILURE TO DO SO CAN CAUSE ELECTRICAL SHOCK RESULTING IN SEVERE PERSONAL INJURY OR DEATH.

11.2 POWER WIRING

It is important that proper electrical power from a commercial utility is available at the condensing unit contactor. Voltage ranges for operation are shown in Table 5.

Power wiring must be run in a rain-tight conduit. Conduit must be run through the connector panel below the access cover (See Figure 1) and attached to the bottom of the control box.

WARNING

TURN OFF ELECTRIC POWER AT THE FUSE BOX OR SERVICE PANEL BEFORE MAKING ANY ELECTRICAL CONNECTIONS.

ALSO, THE GROUND CONNECTION MUST BE COMPLETED BEFORE MAKING LINE VOLTAGE CONNECTIONS. FAILURE TO DO SO CAN RESULT IN ELECTRICAL SHOCK, SEVERE PERSONAL INJURY OR DEATH.

Connect power wiring to contactor located in outdoor condensing unit electrical box. (See wiring diagram attached to unit access panel.)

Check all electrical connections, including factory wiring within the unit and make sure all connections are tight.

DO NOT connect aluminum field wire to the contactor terminals.

TABLE 5
VOLTAGE RANGES (60 HZ)

Nameplate Voltage	Operating Voltage Range at Copeland Maximum Load Design Conditions for Compressors
208/230 (1 Phase)	187 - 253

11.3 CONTROL WIRING

(See Figure 3)

If the low voltage control wiring is run in conduit with the power supply, Class I insulation is required. Class II insulation is required if run separate. Low voltage wiring may be run through the insulated bushing provided in the 7/8 hole in the base panel, up to and attached to the pigtails from the bottom of the control box. Conduit can be run to the base panel if desired by removing the insulated bushing.

A thermostat and a 24 volt, 40 VA minimum transformer are required for the control circuit of the condensing unit. The furnace or the air handler transformer may be used if sufficient. See the wiring diagram for reference. Use 18-gauge thermostat wire only.

TABLE 6
MAXIMUM SYSTEM CHARGE VALUES

Model Size	Compressor Manufacturer	Compressor Model Number
18	Copeland	ZR16/K5-PFV
24	Copeland	ZR21/K5-PFV
30	Copeland	ZR26/K5-PFV
36	Copeland	ZR32/K5-PFV

All other models come with the crankcase heater factory-installed.

12.0 FIELD INSTALLED ACCESSORIES

12.1 COMPRESSOR CRANKCASE HEAT (CCH)

While scroll compressors usually do not require crankcase heaters, there are instances when a heater should be added. Refrigerant migration during the off cycle can result in a noisy start up. Add a crankcase heater to minimize refrigerate migration, and to help eliminate any start up noise or bearing "wash out."

NOTE: The installation of a crankcase heater is recommended if the system charge exceeds the values listed in Table 6.

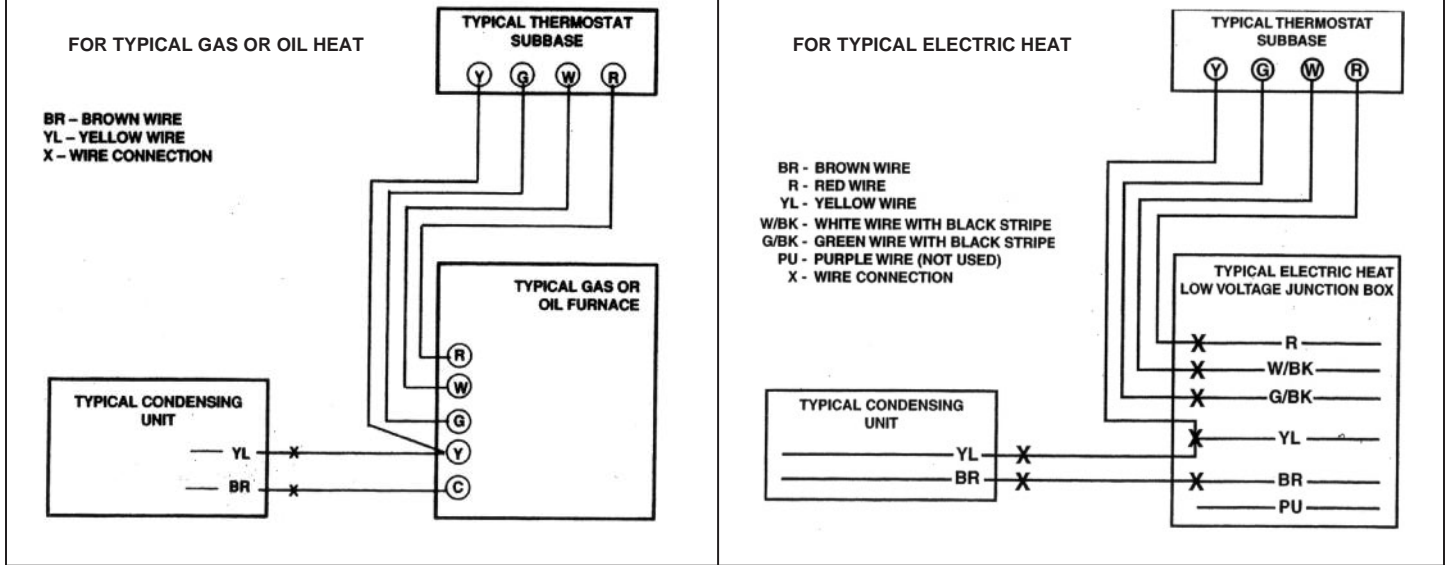
All heaters are located on the lower half of the compressor shell. Its purpose is to drive refrigerant from the compressor shell during long off cycles, thus preventing damage to the compressor during start-up.

At initial start-up or after extended shutdown periods, make sure the heater is energized for at least 12 hours before the compressor is started. (Disconnect switch on and wall thermostat off.)

12.2 TIME DELAY CONTROL (TDC)

The time delay (TDC) is in the low voltage control circuit. When the compressor shuts off due to a power failure or thermostat operation, this control keeps it off at least 5 minutes which allows the system pressure to equalize, thus not damaging the compressor or blowing fuses on start-up.

FIGURE 3
CONTROL WIRING FOR GAS OR ELECTRIC HEAT



12.3 LOW AMBIENT CONTROL (LAC)

This component senses compressor head pressure and shuts the condenser fan off when the head pressure drops to approximately 175 PSIG. This allows the unit to build a sufficient head pressure at lower ambient in order to maintain system balance and obtain improved capacity. Low ambient control should be used on all equipment operated below 70°F ambient.

12.4 HIGH AND LOW PRESSURE CONTROLS (HPC OR LPC)

These controls keep the compressor from operating in pressure ranges which can cause damage to the compressor. Both controls are in the low voltage control circuit.

High pressure control (HPC) is a manual reset which opens near 450 PSIG.

The low pressure control (LPC) is an automatic reset which opens near 15 PSIG and closes near 40 PSIG.

13.0 SERVICE

13.1 OPERATION

Single phase units are operated PSC (no starting components). It is important that such systems be off for a minimum of 5 minutes before restarting to allow equalization of pressure. The thermostat should not be moved to cycle unit without waiting 5 minutes. To do so may cause the compressor to go off on an automatic overload device or blow a fuse. Poor electrical service can also cause nuisance tripping on overloads, trip a breaker, or cause light dimming. This generally can be corrected by adding start components. Check with factory for recommended start components, if required. For PSC type operation, refrigerant metering must be done with fixed orifice, cap tubes or bleed type expansion valves because of low starting torque. If non-bleed expansion valve coils (supplied by factory) are used, start components are required.

13.2 SINGLE-POLE COMPRESSOR CONTACTOR (CC)

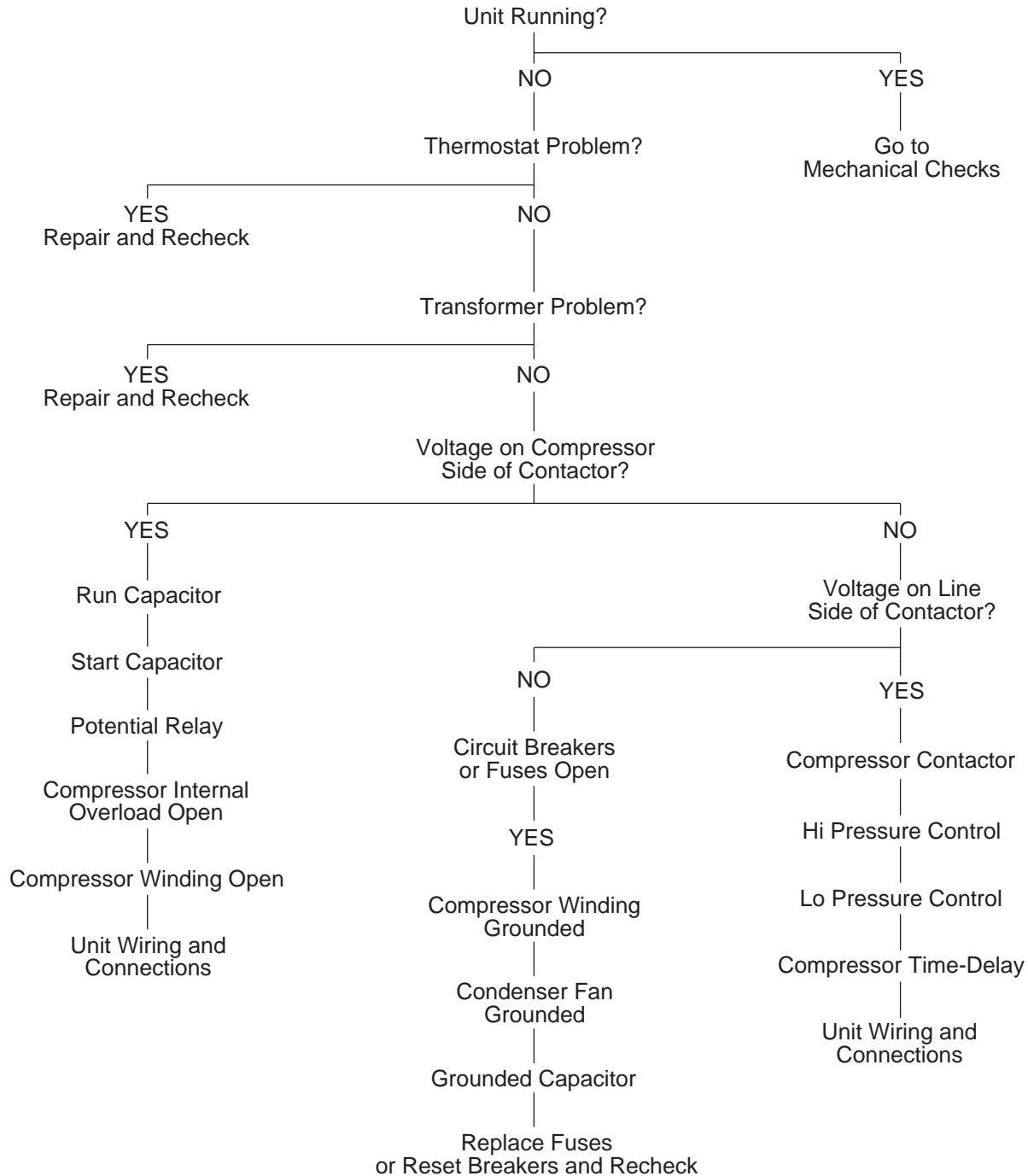
Single-pole contactors are used on all standard single phase units up through 5 tons. Caution must be exercised when servicing as only one leg of the power supply is broken with the contactor.

14.0 TROUBLE SHOOTING

In diagnosing common faults in the air conditioning system, it is useful to present the logical pattern of thought that is used by experienced technicians. The charts which follow are not intended to be an answer to all problems, but only to guide your thinking as you attempt to decide on your course of action. Through a series of yes and no answers, you will follow the logical path to a likely conclusion.

Use these charts as you would a road map, if you are a beginning technician. As you gain experience, you will learn where to establish the shortcuts. Remember that the chart will help clarify the logical path to the problem.

14.1 ELECTRICAL CHECKS FLOW CHART



14.2 MECHANICAL CHECKS FLOW CHART

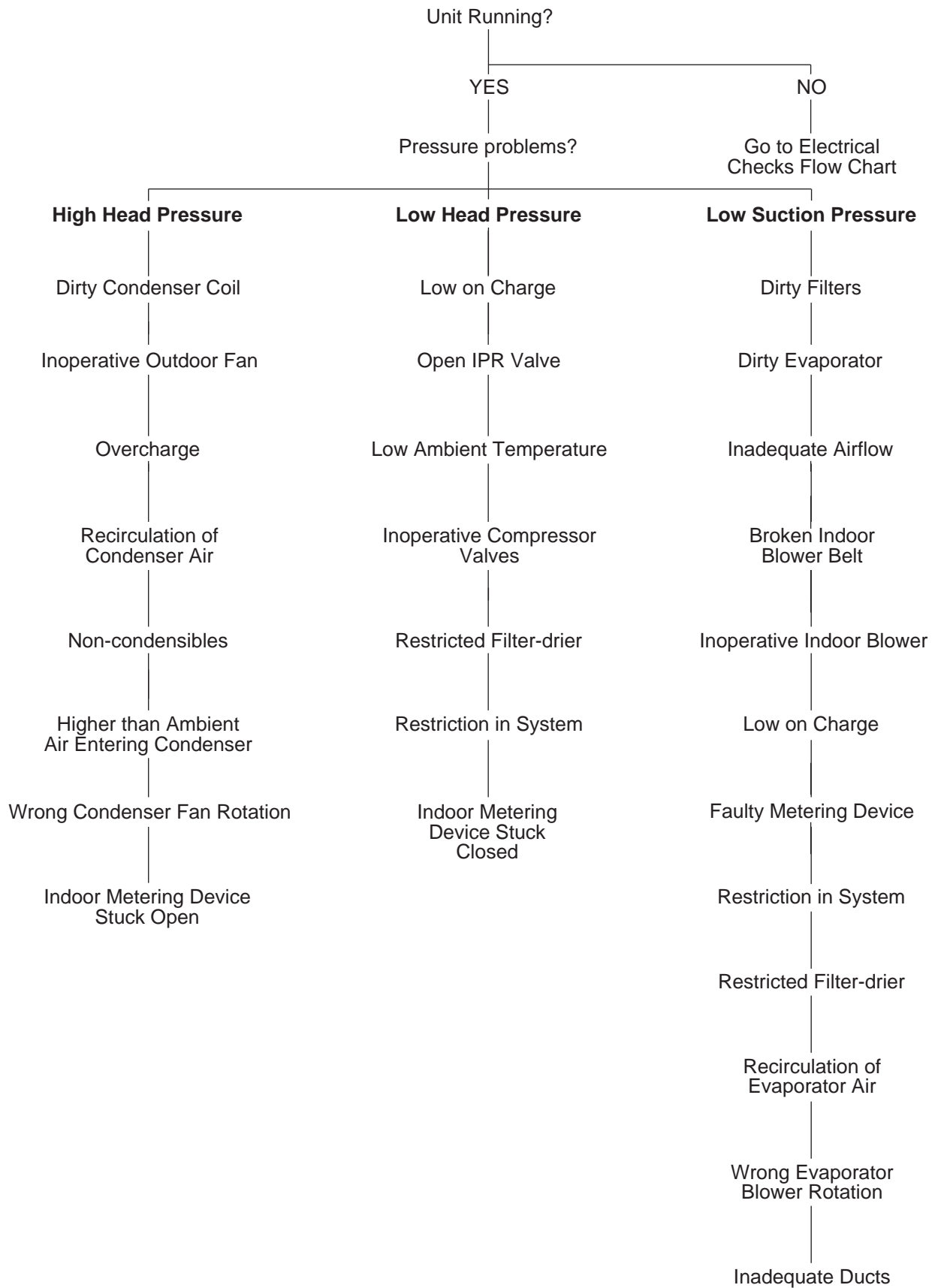


TABLE 7
TEMPERATURE PRESSURE CHART

R-407C Saturated Liquid Temp (Deg F)	R-407C Liquid (PSIG)	R-407C Vapor (PSIG)
-40	2.9	4.5
-35	5.2	0.7
-30	7.9	1.7
-25	10.7	4
-20	13.9	6.5
-15	17.3	9.3
-10	21.1	12.4
-5	25.2	15.8
0	29.6	19.5
5	34.4	23.6
10	39.6	28
15	45.2	32.7
20	51.3	37.9
25	57.8	43.6
30	64.7	49.6
35	72.2	56.2
40	80.2	63.2
45	88.7	70.7
50	97.8	78.8
55	107.5	87.5
60	117.7	96.8
65	128.7	106.7
70	140.2	117.2
75	152.5	128.4
80	165.5	140.4
85	179.2	153.1
90	193.6	166.5
95	208.8	180.8
100	224.9	195.8
105	241.8	211.8
110	259.6	228.7
115	278.2	246.5
120	297.8	265.3
125	318.3	285.2
130	339.9	306.1
135	362.4	328.2
140	386	351.4
145	410.7	375.9
150	436.5	401.7

14.3 SUPERHEAT CALCULATION

1. Measure the suction pressure at the suction line service valve.
2. Convert the suction pressure to saturated temperature. See Table 7.
3. Measure the temperature of the suction line at the suction line service valve.
4. Compare the temperature of the suction line to the saturated temperature.
5. The difference between saturated temperature and suction line temperature is the superheat. Superheat normal range 12° to 15°.

14.4 SUBCOOLING CALCULATION

1. Measure the liquid pressure at the liquid line service valve.
2. Convert the liquid line pressure to saturated temperature. See Table 7.
3. Measure the liquid line temperature at the liquid line service valve.
4. Compare the liquid line temperature to the saturated temperature.
5. The difference between saturated temperature and liquid line temperature is the subcooling. Subcooling normal range 9° to 12°.

TABLE 8
AIR CONDITIONING SYSTEM TROUBLESHOOTING TIPS

AIR CONDITIONING SYSTEM TROUBLESHOOTING TIPS					
SYSTEM PROBLEM	INDICATORS				
	DISCHARGE PRESSURE	SUCTION PRESSURE	SUPERHEAT	SUBCOOLING	COMPRESSOR AMPS
Overcharge	High	High	Low	High	High
Undercharge	Low	Low	High	Low	Low
Liquid Restriction (Drier)	Low	Low	High	High	Low
Low Evaporator Airflow	Low	Low	Low	Low	Low
Dirty Condenser	High	High	Low	Low	High
Low Outside Ambient Temperature	Low	Low	High	High	Low
Inefficient Compressor	Low	High	High	High	Low
TXV Feeler Bulb Charge Lost	Low	Low	High	High	Low
Poorly Insulated Sensing Bulb	High	High	Low	Low	High

14.5 GENERAL

TROUBLE SHOOTING CHART

▲ WARNING

DISCONNECT ALL POWER TO UNIT BEFORE SERVICING. CONTACTOR MAY BREAK ONLY ONE SIDE. FAILURE TO SHUT OFF POWER CAN CAUSE ELECTRICAL SHOCK RESULTING IN PERSONAL INJURY OR DEATH.

SYMPTOM	POSSIBLE CAUSE	REMEDY
Unit will not run	<ul style="list-style-type: none"> Power off or loose electrical connection Thermostat out of calibration-set too high Defective contactor Blown fuses / tripped breaker Transformer defective High pressure control open (if provided) 	<ul style="list-style-type: none"> Check for correct voltage at contactor in condensing unit Reset Check for 24 volts at contactor coil - replace if contacts are open Replace fuses / reset breaker Check wiring-replace transformer Reset-also see high head pressure remedy-The high pressure control opens at 450 PSIG
Outdoor fan runs, compressor doesn't	<ul style="list-style-type: none"> Run or start capacitor defective Start relay defective Loose connection Compressor stuck, grounded or open motor winding, open internal overload. Low voltage condition 	<ul style="list-style-type: none"> Replace Replace Check for correct voltage at compressor - check & tighten all connections Wait at least 2 hours for overload to reset. If still open, replace the compressor. Add start kit components
Insufficient cooling	<ul style="list-style-type: none"> Improperly sized unit Improper indoor airflow Incorrect refrigerant charge Air, non-condensibles or moisture in system 	<ul style="list-style-type: none"> Recalculate load Check - should be approximately 400 CFM per ton. Charge per procedure attached to unit service panel Recover refrigerant, evacuate & recharge, add filter drier
Compressor short cycles	<ul style="list-style-type: none"> Incorrect voltage Defective overload protector Refrigerant undercharge 	<ul style="list-style-type: none"> At compressor terminals, voltage must be $\pm 10\%$ of nameplate marking when unit is operating. Replace - check for correct voltage Add refrigerant
Registers sweat	<ul style="list-style-type: none"> Low indoor airflow 	<ul style="list-style-type: none"> Increase speed of blower or reduce restriction - replace air filter
High head-low vapor pressures	<ul style="list-style-type: none"> Restriction in liquid line, expansion device or filter drier Flowcheck piston size too small Incorrect capillary tubes 	<ul style="list-style-type: none"> Remove or replace defective component Change to correct size piston Change coil assembly
High head-high or normal vapor pressure - Cooling mode	<ul style="list-style-type: none"> Dirty outdoor coil Refrigerant overcharge Outdoor fan not running Air or non-condensibles in system 	<ul style="list-style-type: none"> Clean coil Correct system charge Repair or replace Recover refrigerant, evacuate & recharge
Low head-high vapor pressures	<ul style="list-style-type: none"> Flowcheck piston size too large Defective Compressor valves Incorrect capillary tubes 	<ul style="list-style-type: none"> Change to correct size piston Replace compressor Replace coil assembly
Low vapor - cool compressor - iced indoor coil	<ul style="list-style-type: none"> Low indoor airflow Operating below 65°F outdoors Moisture in system 	<ul style="list-style-type: none"> Increase speed of blower or reduce restriction - replace air filter Add Low Ambient Kit Recover refrigerant - evacuate & recharge - add filter drier
High vapor pressure	<ul style="list-style-type: none"> Excessive load Defective compressor 	<ul style="list-style-type: none"> Recheck load calculation Replace
Fluctuating head & vapor pressures	<ul style="list-style-type: none"> TXV hunting Air or non-condensibles in system 	<ul style="list-style-type: none"> Check TXV bulb clamp - check air distribution on coil - replace TXV Recover refrigerant, evacuate & recharge
Gurgle or pulsing noise at expansion device or liquid line	<ul style="list-style-type: none"> Air or non-condensibles in system 	<ul style="list-style-type: none"> Recover refrigerant, evacuate & recharge

15.0 WIRING DIAGRAM

FIGURE 4
SINGLE-PHASE WIRING DIAGRAM

