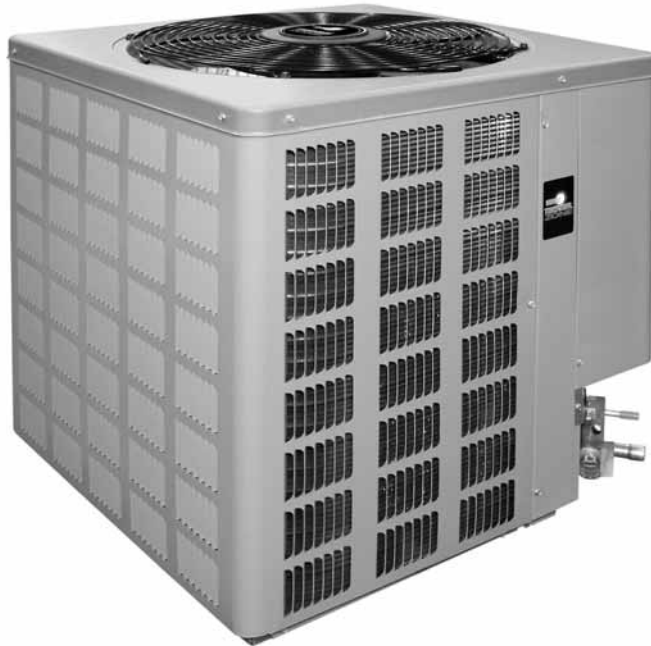


Featuring
R-407C Refrigerant



13 SEER CONDENSING UNITS

Features

- Painted louvered steel cabinet.
- Easily accessible control box.
- Condenser coils constructed with copper tubing and enhanced aluminum fins.
- Grille/Motor mount for quiet fan operation.
- Filter Drier (not installed)

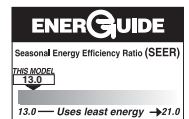
Applications

Outdoor condensing unit designed for ground level or rooftop installations. These units offer comfort and dependability for single, multi-family and light commercial applications.

Accessories

- Low Pressure Control (RXAC-A03)
- High Pressure Control (RXAB-A03)
- Low Ambient Control (RXAD-A04)
- Compressor Time Delay Control
- Crankcase Heater
- Sound Enclosure

TZAB SERIES



Model Number Identification

TZ	A	B	—	3	18	—	2	A
THERMAL ZONE®	A = AIR CONDITIONER	DESIGN SERIES B = 1ST DESIGN		3 = 13 SEER	NOMINAL COOLING CAPACITY 18 = 18,000 BTU/HR [5.28 kW] 24 = 24,000 BTU/HR [7.03 kW] 30 = 30,000 BTU/HR [8.79 kW] 36 = 36,000 BTU/HR [10.55 kW] 42 = 42,000 BTU/HR [12.31 kW] 48 = 48,000 BTU/HR [14.07 kW] 60 = 60,000 BTU/HR [17.58 kW]		VOLTAGE 2 = 208-230 SINGLE PHASE	CABINET A = FULL METAL JACKET

Performance Data @ AHRI Standard Conditions—Cooling

Model Numbers		80°F [26.5°C] DB/67°F [19.5°C] WB Indoor Air 95°F [35°C] DB Outdoor Air					Sound Rating dB	Indoor CFM [L/s]
Outdoor Unit TZAB	Indoor Coil and/or Air Handler	Total Capacity BTU/H [kW]	Net Sensible BTU/H [kW]	Net Latent BTU/H [kW]	EER	SEER		
318-2A	TCFA-H*2417	18,200 [5.33]	13,550 [3.97]	4,650 [1.36]	11.30	13.00	74	650 [306]
324-2A	TCFA-H*2417	24,000 [7.03]	17,400 [5.10]	6,600 [1.93]	11.25	13.00	76	775 [365]
330-2A	TCFA-H*3617	28,800 [8.44]	20,750 [6.08]	8,050 [2.36]	11.25	13.00	76	950 [448]
336-2A	TCFA-H*4821	35,600 [10.43]	24,850 [7.28]	10,750 [3.15]	11.10	13.00	76	1075 [507]
342-2A	TCFA-H*4821	41,600 [12.19]	29,850 [8.75]	11,750 [3.44]	11.05	13.00	77	1350 [637]
348-2A	TCFA-H*4821	44,200 [12.95]	32,100 [9.41]	12,100 [3.55]	10.95	13.00	77	1525 [720]
360-2A	TCFA-H*6024	53,000 [15.53]	36,950 [10.83]	16,050 [4.70]	11.45	13.00	77	1525 [720]

① Highest sales volume tested combination required by D.O.E. test procedures.

[] Designates Metric Conversions

Electrical and Physical Data

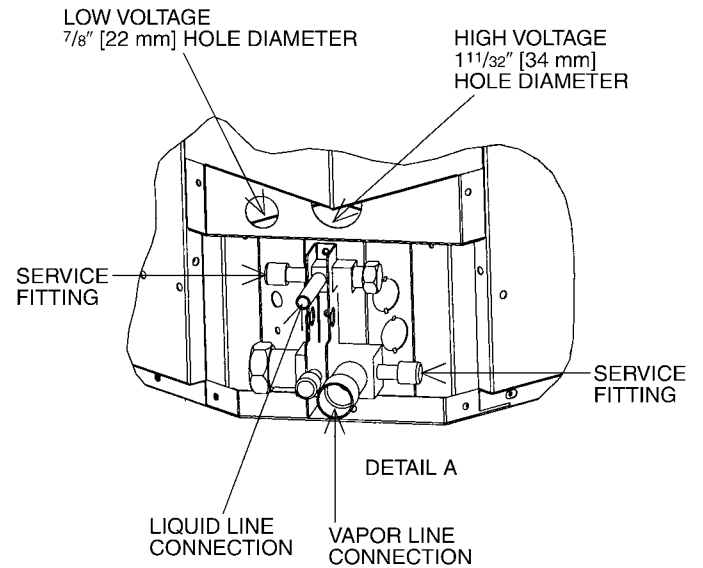
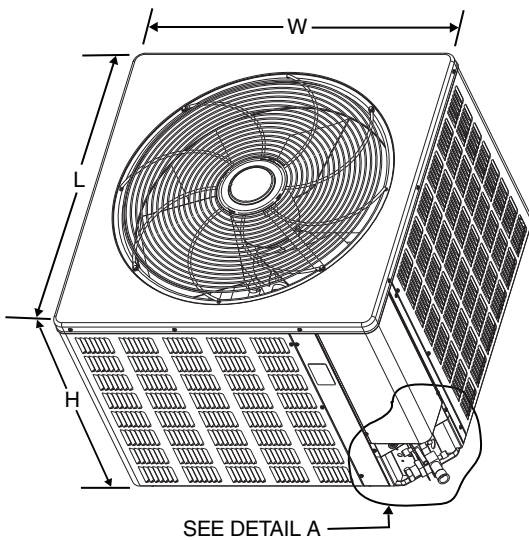
Model Number TZAB	ELECTRICAL							PHYSICAL					
	Phase Frequency (HZ) Voltage (Volts)	Compressor		Fan Motor Full Load Amperes (FLA)	Minimum Circuit Capacity Amperes	Fuse or HACR Circuit Breaker		Outdoor Coil			Refrig. Per Circuit Oz. [g]	Weight	
		Rated Load Amperes (RLA)	Locked Rotor Amperes (LRA)			Minimum Amperes	Maximum Amperes	Face Area Sq. Ft. [m ²]	No. Rows	CFM [L/s]		Net Lbs. [kg]	Shipping Lbs. [kg]
318-2A	1-60-208-230	8.3/8.3	40.3	0.8	11/11	15/15	15/15	13.72 [1.27]	1	2370 [1118]	107 [3033]	136 [61.59]	146 [66.1]
324-2A	1-60-208-230	12.0/12.0	56	0.8	16/16	20/20	20/20	16.39 [1.52]	1	2905 [1371]	109 [3090]	152 [68.8]	162 [73.3]
330-2A	1-60-208-230	15.0/15.0	68	0.8	21/21	25/25	30/30	16.39 [1.52]	1	2805 [1324]	116 [3288]	155 [70.2]	165 [74.7]
336-2A	1-60-208-230	17.1/17.1	87	0.8	24/24	25/25	30/30	21.85 [2.03]	1	2995 [1413]	140 [3968]	177 [80.4]	188 [85.4]
342-2A	1-60-208-230	21.4/21.4	112	1.2	30/30	35/35	40/40	21.85 [2.03]	2	3360 [1586]	269 [7626]	225 [102]	247 [112]
348-2A	1-60-208-230	22.1/22.1	104	1.2	31/31	35/35	40/40	21.85 [2.03]	2	3360 [1586]	283 [8022]	229 [103.8]	251 [113.8]
360-2A	1-60-208-230	24.3/24.3	137	1.2	34/34	35/35	50/50	21.85 [2.03]	2	3360 [1586]	286 [8107]	231 [104.6]	253 [114.6]

NOTE: Refrigerant charge shown is for 25 feet of standard line set. Units are shipped with a nitrogen holding charge.

Unit Dimensions

Model No. TZAB-3	Unit Dimensions		
	Width "W" Inches	Length "L" Inches	Height "H" Inches
18	27 ⁵ / ₈ [702]	27 ⁵ / ₈ [702]	24 ¹ / ₄ [616]
24, 30	31 ⁵ / ₈ [803]	31 ⁵ / ₈ [803]	27 ¹⁵ / ₁₆ [710]
36, 42, 48, 60	31 ⁵ / ₈ [803]	31 ⁵ / ₈ [803]	35 ¹⁵ / ₁₆ [913]

[] Designates Metric Conversions



Condensing Unit Refrigerant Line Size Information

		Liquid Line Sizing														
System Capacity	Line Size Connection (Inch I.D.)	Line Size (Inch O.D.) [mm]	Liquid Line Size – Outdoor Unit Above Indoor Coil							Liquid Line Size – Outdoor Unit Below Indoor Coil						
			Total Equivalent Length—Feet [m]							Total Equivalent Length—Feet [m]						
			25 [7.62]	50 [15.24]	75 [22.86]	100 [30.48]	125 [38.10]	150 [45.72]	25 [7.62]	50 [15.24]	75 [22.86]	100 [30.48]	125 [38.10]	150 [45.72]		
			Minimum Vertical Separation—Feet [m]							Maximum Vertical Separation—Feet [m]						
1 1/2 Ton	3/8"	1/4* [6.35]	0	0	5 [1.52]	18 [5.49]	31 [9.45]	44 [13.41]	21 [6.40]	8 [2.44]	N/A	N/A	N/A	N/A		
		5/16 [7.94]	0	0	0	0	0	0	25 [7.62]	27 [8.23]	24 [7.32]	21 [6.40]	17 [5.18]	14 [4.27]		
		3/8 [9.53]	0	0	0	0	0	0	25 [7.62]	40 [12.19]	39 [11.89]	38 [11.58]	37 [11.28]	35 [10.67]		
2 Ton	3/8"	1/4* [6.35]	0	5 [1.52]	27 [8.23]	48 [14.63]	69 [21.03]	91 [27.74]	16 [4.88]	N/A	N/A	N/A	N/A			
		5/16 [7.94]	0	0	0	0	0	0	25 [7.62]	26 [7.92]	21 [6.40]	15 [4.57]	10 [3.05]	5 [1.52]		
		3/8 [9.53]	0	0	0	0	0	0	25 [7.62]	38 [11.58]	36 [10.97]	35 [10.67]	33 [10.06]	31 [9.45]		
2 1/2 Ton	3/8"	1/4* [6.35]	0	34 [10.36]	69 [21.03]	N/A	N/A	N/A	0	N/A	N/A	N/A	N/A			
		5/16 [7.94]	0	0	0	0	9 [2.74]	18 [5.49]	25 [7.62]	17 [5.18]	8 [2.44]	0	N/A	N/A		
		3/8 [9.53]	0	0	0	0	0	0	25 [7.62]	37 [11.28]	34 [10.36]	31 [9.45]	29 [8.84]	26 [7.92]		
3 Ton	3/8"	5/16* [7.94]	0	0	0	6 [1.83]	17 [5.18]	28 [8.53]	25 [7.62]	15 [4.57]	4 [1.22]	N/A	N/A	N/A		
		3/8 [9.53]	0	0	0	0	0	0	25 [7.62]	30 [9.14]	26 [7.92]	23 [7.01]	19 [5.79]	16 [4.88]		
3 1/2 Ton	3/8"	5/16* [7.94]	0	0	0	13 [3.96]	28 [8.53]	43 [13.11]	25 [7.62]	17 [5.18]	2 [0.61]	N/A	N/A	N/A		
		3/8 [9.53]	0	0	0	0	0	0	25 [7.62]	37 [11.28]	32 [9.75]	28 [8.53]	23 [7.01]	18 [5.49]		
4 Ton	3/8"	3/8* [9.53]	0	0	0	0	0	0	25 [7.62]	33 [10.06]	27 [8.23]	21 [6.40]	15 [4.57]	9 [2.74]		
		1/2 [12.57]	0	0	0	0	0	0	25 [7.62]	43 [13.11]	42 [12.80]	40 [12.19]	39 [11.89]	38 [11.58]		
5 Ton	3/8"	3/8* [9.53]	0	0	0	0	0	9 [2.74]	25 [7.62]	25 [7.62]	17 [5.18]	8 [2.44]	0	N/A		
		1/2 [12.57]	0	0	0	0	0	0	25 [7.62]	39 [11.89]	37 [11.28]	36 [10.97]	34 [10.36]	32 [9.75]		

NOTES: *Standard line size
N/A = Application not recommended.

Suction Line Length/Size versus Capacity Multiplier									
Unit Size		1 1/2 Ton	2 Ton	2 1/2 Ton	3 Ton	3 1/2 Ton	4 Ton	5 Ton	
Suction Line Connection Size		3/4" [19.05 mm] I.D.				7/8" [22.23 mm] I.D.			
Suction Line Run—Feet [m]		5/8" [15.88 mm] O.D. Opt. 3/4" [19.05 mm] O.D. Std.* 7/8" [22.23 mm] O.D. Opt.			3/4" [19.05 mm] O.D. Opt. 7/8" [22.23 mm] O.D. Std.* 1 1/8" [28.58 mm] O.D. Std.		7/8" [22.23 mm] O.D. Opt. 1 1/8" [28.58 mm] O.D. Std.* 1 3/8" [34.92 mm] O.D. Std.		
25' [7.62]	Optional	0.99	0.99	0.98	0.99	0.99	0.99	0.99	
	Standard	1.00	1.00	1.00	1.00	1.00	1.00	1.00	
	Optional	N/A	1.00	1.00	N/A	1.00	N/A	N/A	
50' [15.24]	Optional	0.97	0.96	0.96	0.98	0.97	0.98	0.97	
	Standard	0.99	0.99	0.98	0.99	0.98	0.99	0.99	
	Optional	N/A	0.99	0.99	N/A	1.00	N/A	N/A	
100' [30.48]	Optional	0.94	0.92	0.94	0.95	0.93	0.95	0.95	
	Standard	0.96	0.96	0.96	0.96	0.96	0.98	0.98	
	Optional	N/A	0.97	0.97	N/A	0.98	N/A	N/A	
150' [45.72]	Optional	0.90	0.89	0.92	0.93	0.92	0.93	0.93	
	Standard	0.93	0.93	0.93	0.94	0.94	0.96	0.96	
	Optional	N/A	0.95	0.95	N/A	0.96	N/A	N/A	

NOTES: *Standard line size.
N/A = Line size not recommended due to inadequate oil return.

[] Designates Metric Conversions

BEFORE PURCHASING THIS APPLIANCE, READ IMPORTANT ENERGY COST AND EFFICIENCY INFORMATION AVAILABLE FROM YOUR RETAILER.

GENERAL TERMS OF LIMITED WARRANTY

Thermal Zone® will furnish a replacement for any part of this product which fails in normal use and service within the applicable period stated, in accordance with the terms of the limited warranty.

PartsFive (5) Years

For Complete Details of the Limited Warranty, Including Applicable Terms and Conditions, See the Thermal Zone® Warranty Card.

NOTES

NOTES

NOTES

Before proceeding with installation, refer to installation instructions packaged with each model, as well as complying with all Federal, State, Provincial, and Local codes, regulations, and practices.

"In keeping with its policy of continuous progress and product improvement, the right is reserved to make changes without notice."